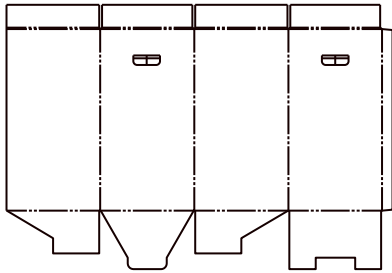


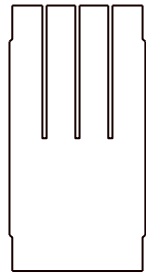


# POSTER AND ROLL STORAGE ASSEMBLY INSTRUCTIONS

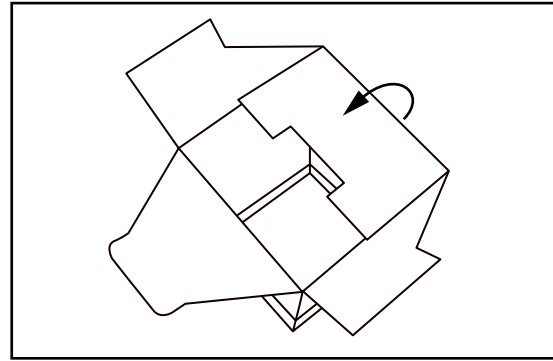
## PARTS LIST



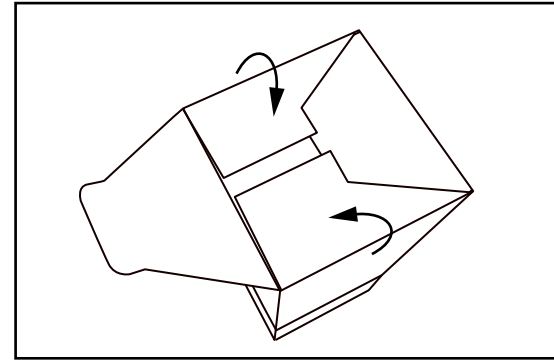
BODY (1)



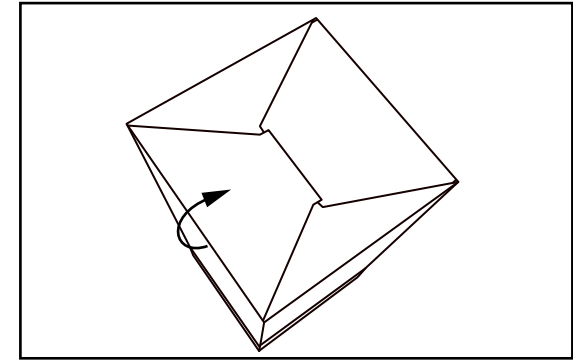
DIVIDER (6)



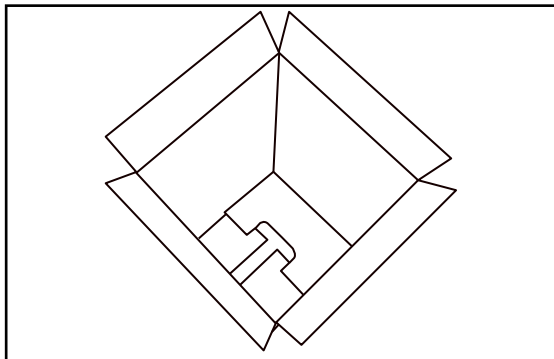
1. Locate the BODY. Fold over the first bottom flap into the middle like the picture above.



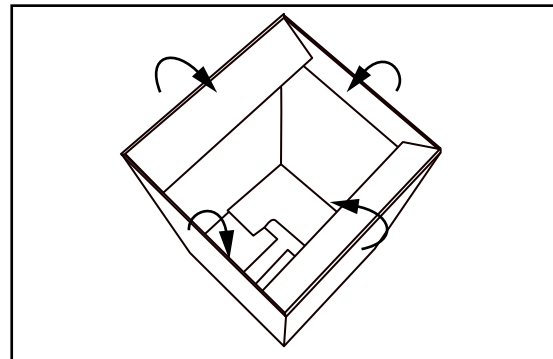
2. Fold the short flaps of the BODY inward.



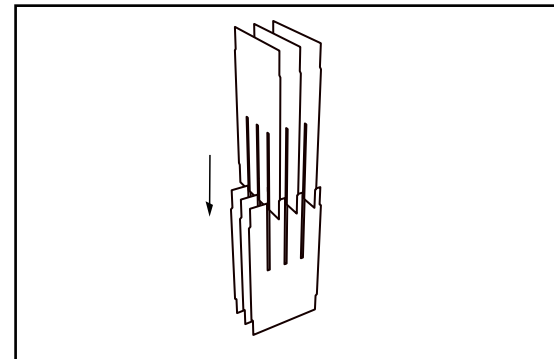
3. Fold over the last bottom flap of the BODY and lock it into place using the corresponding slot.



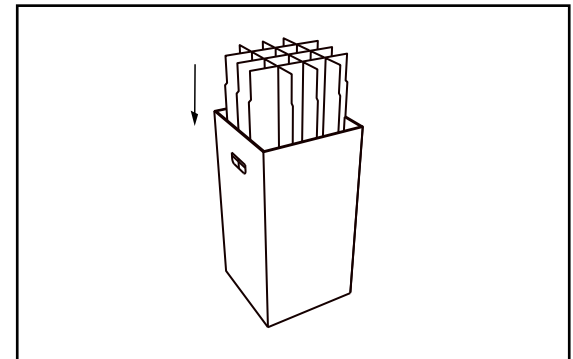
4. Flip over the BODY and place it flat on the ground.



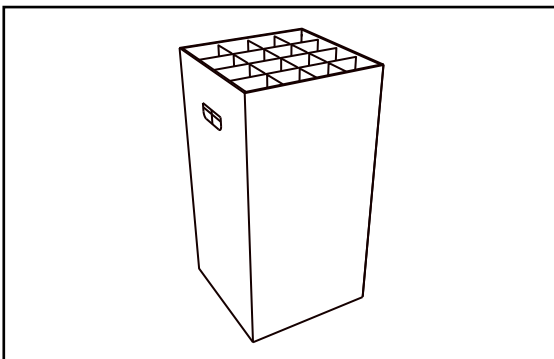
5. Fold the top flaps of the BODY over and lock them into place. Set aside.



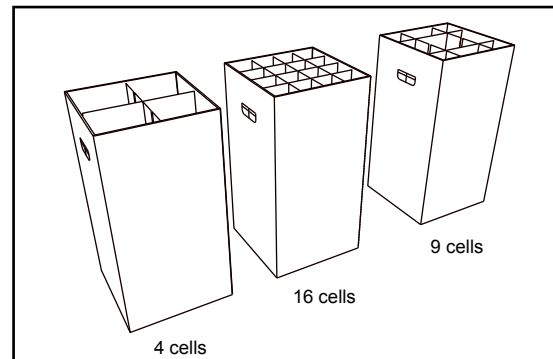
6. Slot dividers together as shown.



7. Slide the DIVIDERS into the BODY, making sure they sit at the very bottom of the BODY.



8. The assembled POSTER AND ROLL STORAGE should resemble the image above.



9. The POSTER AND ROLL STORAGE can also be modified to suit your needs, as shown in the picture above.